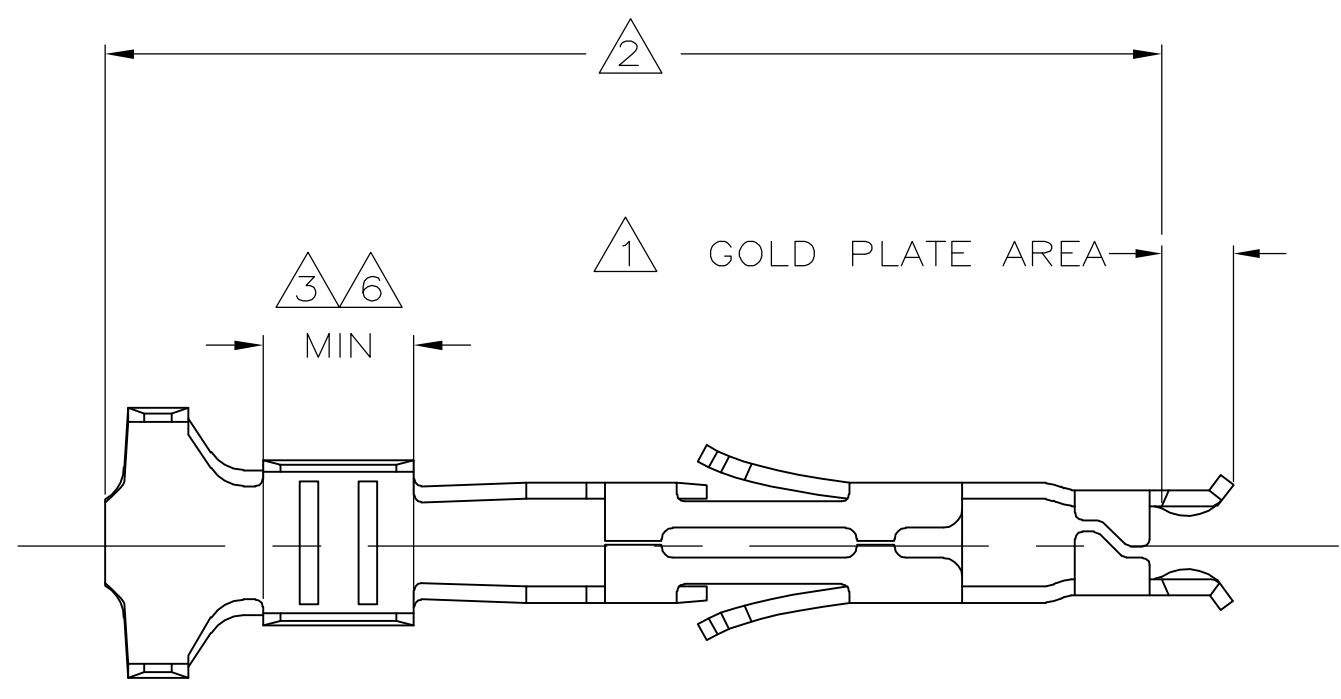
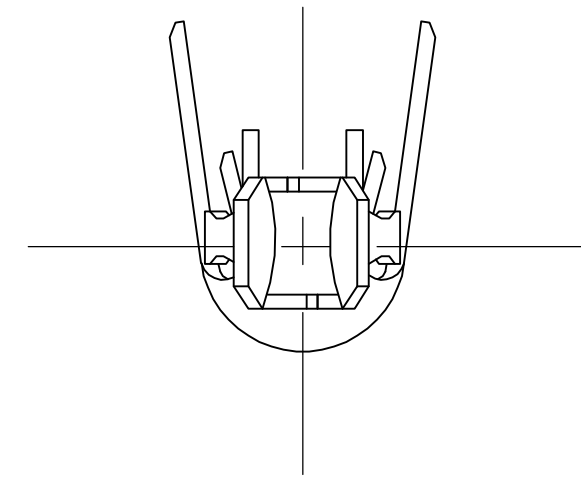
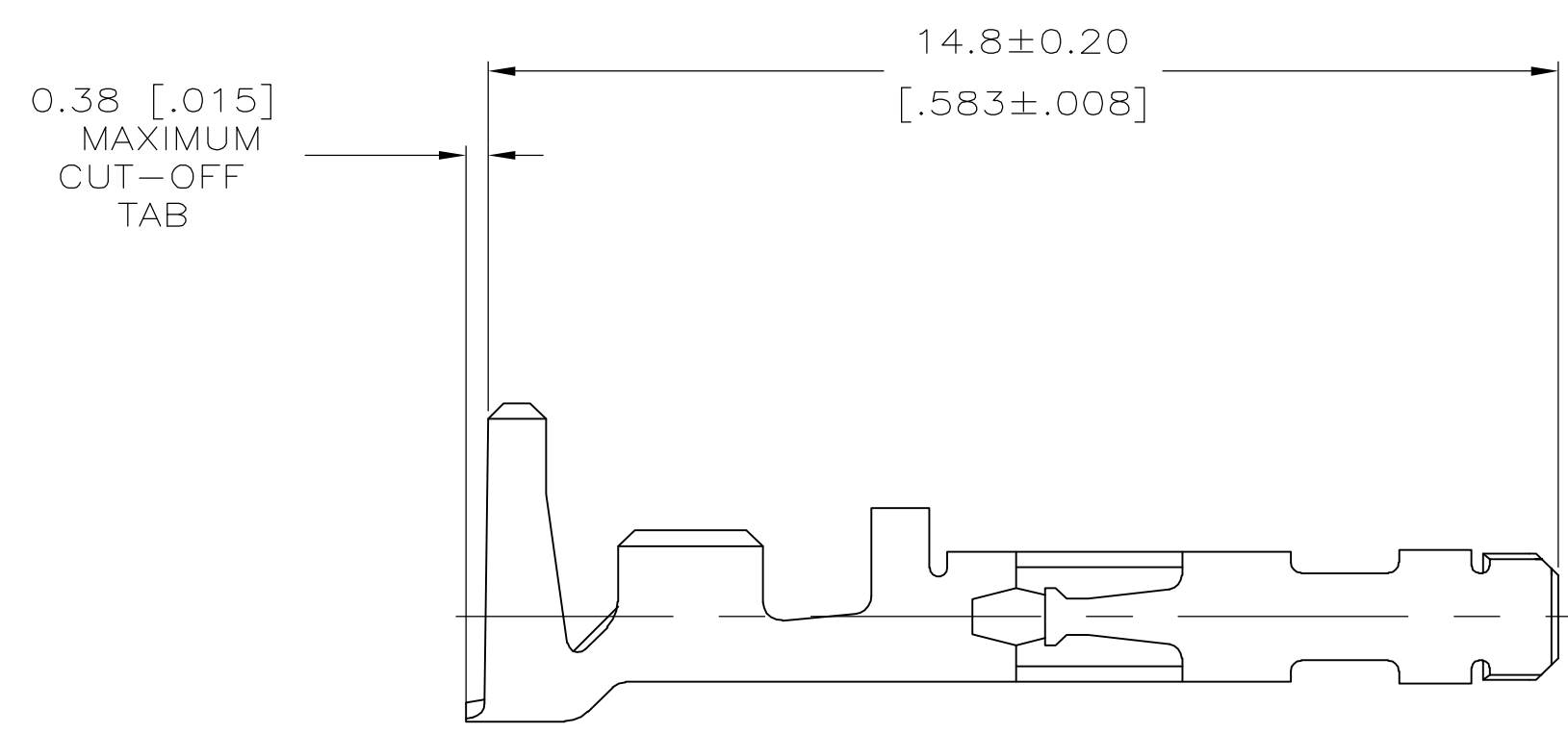


THIS DRAWING IS UNPUBLISHED. RELEASED FOR PUBLICATION
 © COPYRIGHT BY TYCO ELECTRONICS CORPORATION. ALL RIGHTS RESERVED.

LOC	DIST	REVISIONS			
P	LTR	DESCRIPTION	DATE	DWN	APVD
CM	53	E	REVISED PER ECO-07-007565	04APR07	KW CC



- 1 FINISH: 0.76µm MIN GOLD OVER 1.27µm MIN NICKEL REQUIRED ON INNER SURFACE, PERMITTED ON OUTER SURFACE.
- 2 FINISH: NICKEL BASE PLATE ON ALL SURFACES IN THIS AREA.
- 3 FINISH: 2.54µm MIN TIN-LEAD ON ALL SURFACES IN THIS AREA.
- 4. WIRE RANGE: 0.30-0.87mm² (22-18 AWG).
- 5. INSULATION RANGE: 1.50-2.40 [.059-.094] DIA.
- 6 FINISH: 2.54µm MINIMUM TIN ON ALL SURFACES IN THIS AREA.



1-794138-3	1 2 6	0.22 [.009] PHOS BRONZE	1-794141-3
794138-3	1 2 3	0.22 [.009] PHOS BRONZE	794141-3
STRIP	FINISH	MATERIAL	PART NUMBER

METRIC

THIS DRAWING IS A CONTROLLED DOCUMENT.		DWN R. VESTAL 5-01-97	tyco Tyco Electronics Corporation	
DIMENSIONS: mm [INCHES]		CHK R. SWING 5-01-97	Harrisburg, Pa 17105-3608	
TOLERANCES UNLESS OTHERWISE SPECIFIED:		APVD E. BELLES 5-07-97	NAME	
0 PLC ± -		PRODUCT SPEC	CONTACT, SOCKET, AMP-DUAC(TM) POWER CONNECTOR LOOSE PIECE	
1 PLC ± -		108-1646	SIZE CAGE CODE DRAWING NO	
2 PLC ± 0.10		APPLICATION SPEC	A2 00779 C=794141	
3 PLC ± -		114-6067	RESTRICTED TO	
4 PLC ± -		WEIGHT -	SCALE 10:1 SHEET 1 OF 1 REV E	
ANGLES ± -		FINISH	CUSTOMER DRAWING	
MATERIAL SEE TABLE				